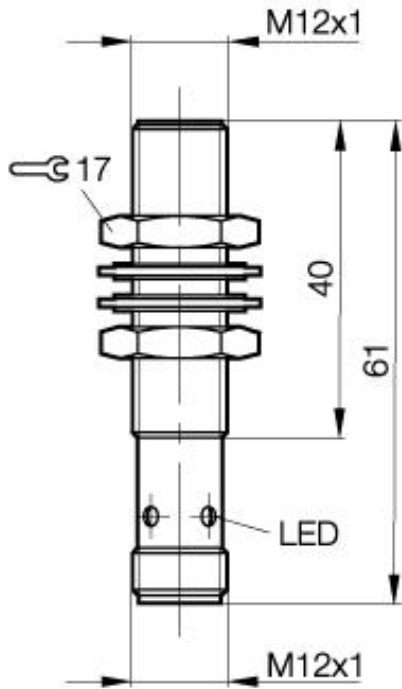


Inductive Sensors
BES 516-325-S 4-W
M12x1 x 61
normally-open
Sn=2mm
shielded
magnetic field immune



PX0103

Common Data

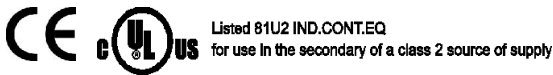
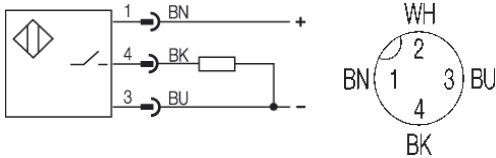
Mounting in steel	shielded
Rated operating distance Sn	2mm
Assured operating distance Sa	0...1.6mm
Repeatability R	≤ 5%
Hysteresis	1...15%
Function indication	yes
Ambient temperature range	-25...+70°C
Pollution Degree	3
Time delay before availability	≤ 60ms
Particular characteristics	magnetic field immune

Mechanical Data

Measurements BxHxT or DxT	M12x1 x 61mm
Housing material	CuZn, PTFE coated
Material of sensing face	LCP + PTFE
Degree of protection	IP67IP
Connection	Connector S4 (M12)
Schock: Halbsinus, 30 gn, 11ms	
Vibration: 55 Hz, 1mm Amplitude, 3 x 30 Minutes	

Electrical Data

Current type	DC
Wiring	3-Wire
switching function	normally-open
Output signal	PNP
Rated operational voltage	24 DCV
Rated operational current	200mA
Supply voltage	10...30 DCV
Ripple	≤ 10%
max. switching frequency	1000Hz
No-load supply current	≤ 20/≤ 15mA
Off-state current	≤ 80µA
Voltage drop	≤ 2.5/-V
Short circuit protection	yes
Protected against polarity reversal	yes



Utilization categories DC 13
 Insulation class II

Datasheet number:

Definitions see general catalog.
 If not otherwise noted, ratings according to IEC 60947-5-2 (DIN EN60947-5-2)

Balluff GmbH
 Schurwaldstrasse 9
 73765 Neuhausen a.d.F.
 Phone (07158) 173-0 Fax (07158) 5010

Datenblatt by CD-ROM - 04/2007

